



Your Number  
ONE Choice and  
Source for Quality  
Dryer Vent Boxes.

# DBX1017FR6

- ✓ Meets IRC and IMC Code
- ✓ Raised Flange Requiring NO Trim Ring
- ✓ Reduces Labor Costs

## POWDER COATED METAL DRYER VENT BOX

### DBX1017FR6

Metal Dryer Vent Box

The DBX1017FR6 metal dryer vent box is powder coated white to match the washer box. The box is 10" WIDE BY 17" TALL and designed to fit into a 2 x 6 framed wall. Designed and tested to meet 1 hour equal F&T fire rating requirement for through penetration fire rated system.



DBX1017FR6



*Installed in wood or steel studs.*



*Finish with caulking, no trim ring needed.*

**CALL TODAY: 866.270.8240**  
**SUPPLY HOUSES NATIONWIDE**

**CONSTRUCTION SOLUTIONS**  
Manufacturer & Distributor of Specialty Building Products

## Product Specifications and Scope of Work Model DBX1017FR

### **Designed For 2x6 Framing**

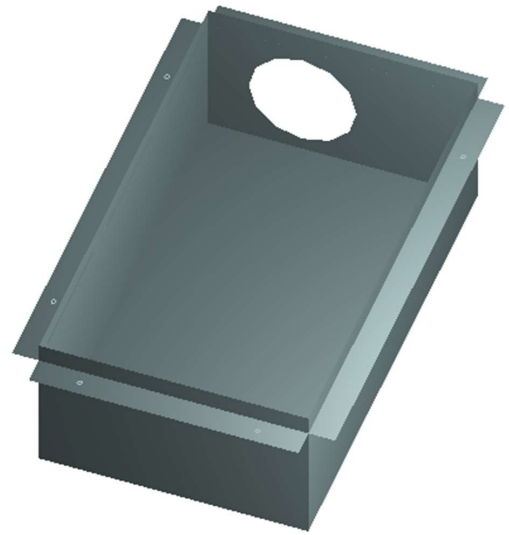
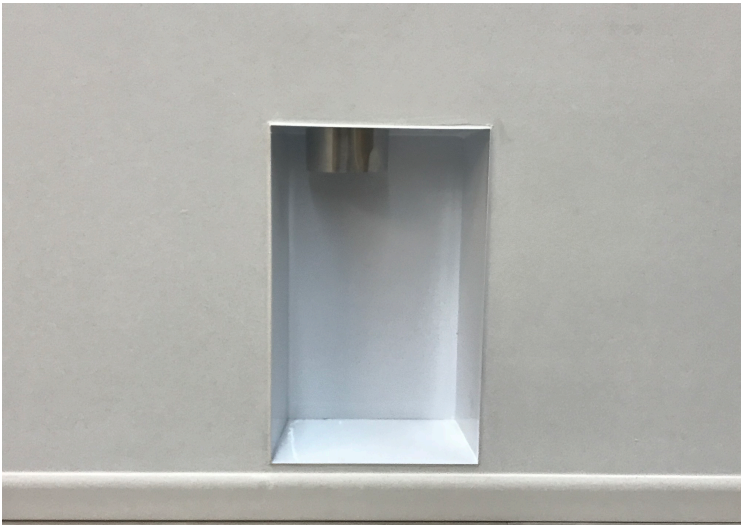
\*\*designed to accommodate all dryer types

### **Builder Specification Wording for HVAC:**

“Recessed Fire Rated Metal Dryer Vent Box  
Manufactured by Construction Solutions

**SKU# DBX1017FR6**

**Length of Run & Elbows code  
required sticker already inside box**



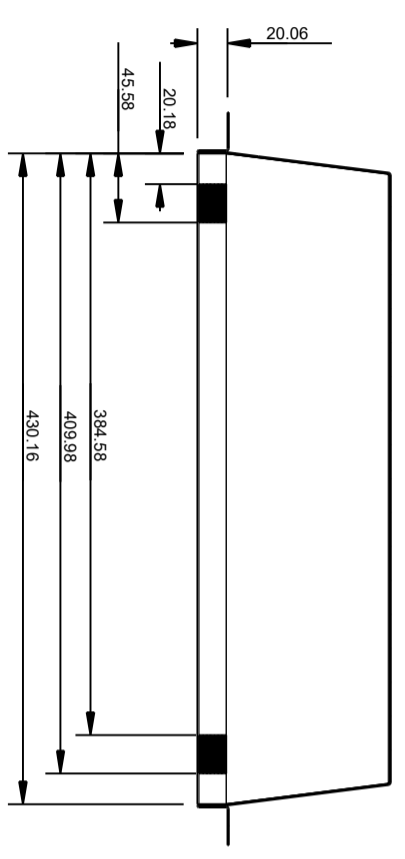
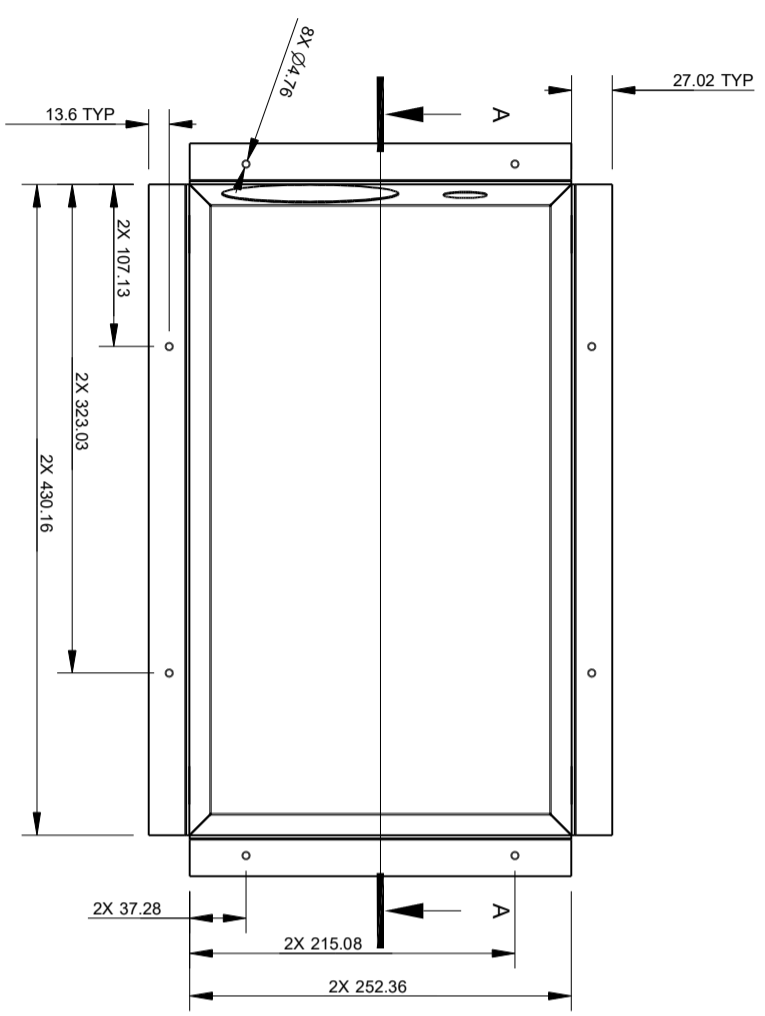
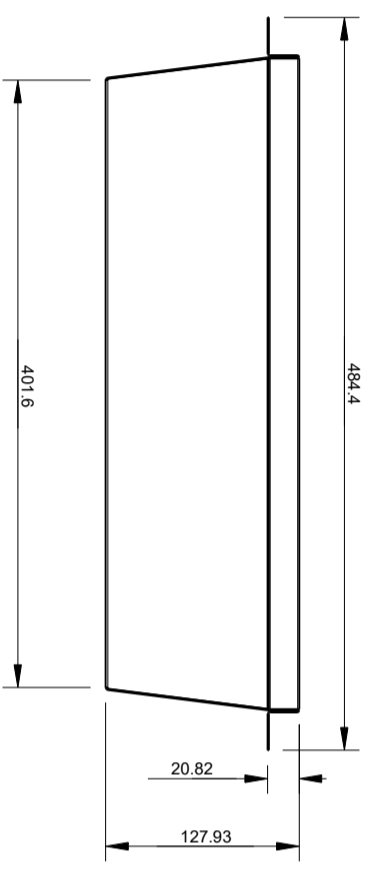
DBX1017 Fire Rated Metal dryer vent box

**Manufactured by Construction Solutions**

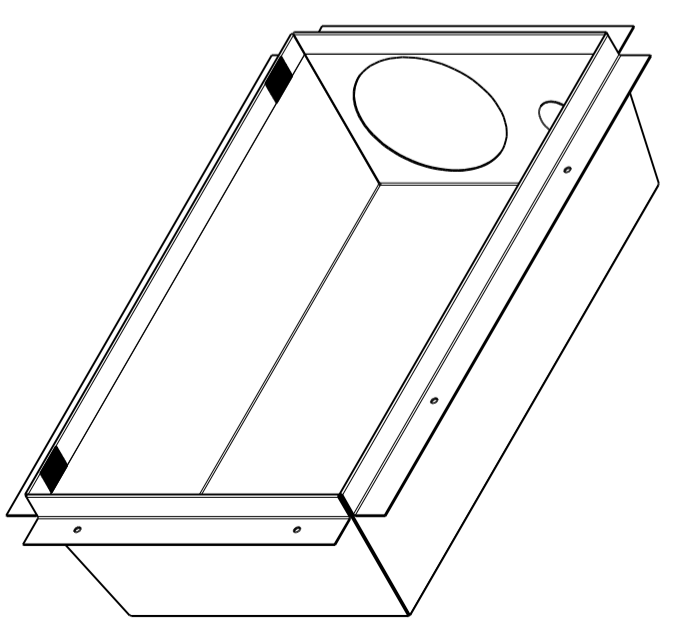
**22415 N. Dr. Phoenix, AZ 85027**

480-346-8240      [www.newconstructionsolutions.com](http://www.newconstructionsolutions.com)

RevNo	Revision note	Date	Signature	Checked
2	REVISED MAIN HOLE DIMENSIONS SECTION D5	10/26/2021	SR	SM



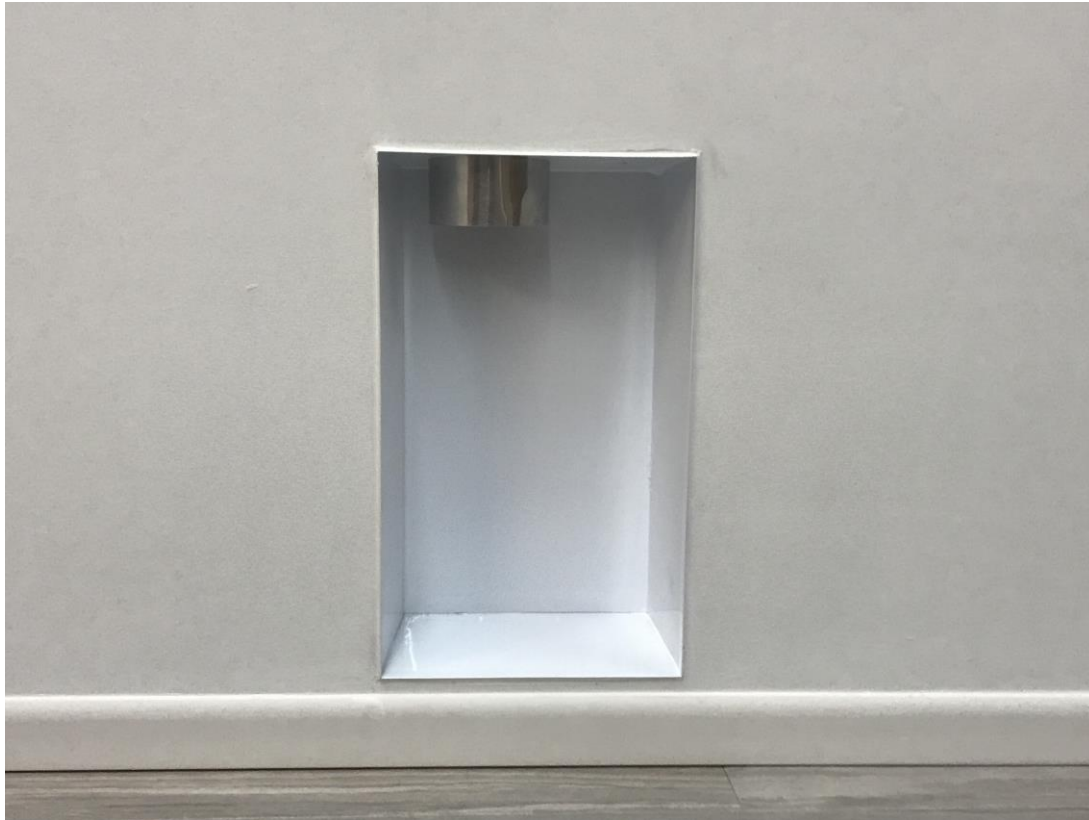
Section A-A



DBX1017FR

Revised Main hole

# DBX1017FR DRYER VENT BOX



## REQUEST FOR ALTERNATE TO BID

(SUBMITTAL FORM ATTACHED)

\_\_\_\_\_ requests to add and/or substitute the DBX1017FR6 Dryer Vent Box, manufactured by Construction Solutions, on the following \_\_\_\_\_ project.

### The utilization of the DBX1017FR will employ the following benefits:

**ATTRACTIVE** – Has a clean white appearance that coordinates with the washer boxes now being installed in most new multi-family and single-family homes.

**PRACTICAL** - Conceals the dryer vent and gas valve connection in the wall away from harms way, available for easy access hook-up connection.

**DURABLE** – Metal Dryer Vent Box. Easy to clean and is heat resistant. Meets IMC and IRC code requirements

**ELIMINATES CALLBACKS** – The powder coated box reduces job walkthrough tags for the drywall and painting contractor’s touch-up repairs around the metal vent receptacle.

**ADDED VALUE** - The **DBX1017FR** recoups up to five feet of living space by positioning the dryer closer to the wall and even with the washer. The code required “*length identification*” label is provided in the box.

**EASY TO INSTALL** - Can be installed with several nails or screws.

**MULTIFUNCTIONAL** – The **DBX1017FR** is multi-positional for field conversion. It can be used for up or down dryer venting. It meets 1 hour equal F&T rating if required.



**SUBMITTAL FORM**

***PROJECT INFORMATION***

**Project Name:** \_\_\_\_\_

**Project Address:** \_\_\_\_\_

**City:** \_\_\_\_\_

**State/Zip:** \_\_\_\_\_

**Start Date for Dryer Venting:** \_\_\_\_\_

**Builder/Contractor:** \_\_\_\_\_

**CONTRACTOR INFORMATION**

**THIS PRODUCT SUBMITTAL PACKAGE HAS BEEN FURNISHED BY:**

**Contractor Name:** \_\_\_\_\_

**Address:** \_\_\_\_\_

**City:** \_\_\_\_\_

**State/Zip:** \_\_\_\_\_

**Contact:** \_\_\_\_\_

**Phone/Fax:** \_\_\_\_\_

**Email:** \_\_\_\_\_

**SUBMITTAL INFORMATION**

**THIS SUBMITTAL PACKAGE INCLUDES:**

**The New DBX1017FR – Metal Dryer Vent Box:** \_\_\_\_\_

**Installation Instructions:** \_\_\_\_\_

## Construction Solutions

22415 N 18<sup>th</sup> Dr.  
Phoenix, AZ. 85027  
480-346-8240  
[www.newconstructionsolutions.com](http://www.newconstructionsolutions.com)

## DBX1017FR6

Recessed Vent Receptacle  
Installation Guidelines &  
Product Information



# INSTALLATION INSTRUCTIONS FOR THE DBX1017FR6 DRYER VENT BOX

THE DBX1017FR6 IS 10" WIDE X 17" TALL X 4.25" DEEP. **MEETS THE 1-HOUR EQUAL F&T "THROUGH PENETRATION FIRESTOP SYSTEM REQUIREMENTS.** THIS 4.25" DEEP BOX IS INSTALLED IN 2X6 WOOD OR 6" METAL FRAMING. THE DBX1017FR IS POWDER COATED WHITE.

FOR OPTIMUM RESULTS INSTALL THE DBX1017FR6 FOR UP/DOWN VENTING IN 2X6 WOOD OR 6" METAL FRAMING AS FOLLOWS:

**BOX INSTALLATION – 16" ON-CENTER SPACING FOR STANDARD FRAMING OR FIRE RATING REQUIREMENT. IT CAN BE INSTALLED IN 24" ON-CENTER IN NON-RATED WALLS.**

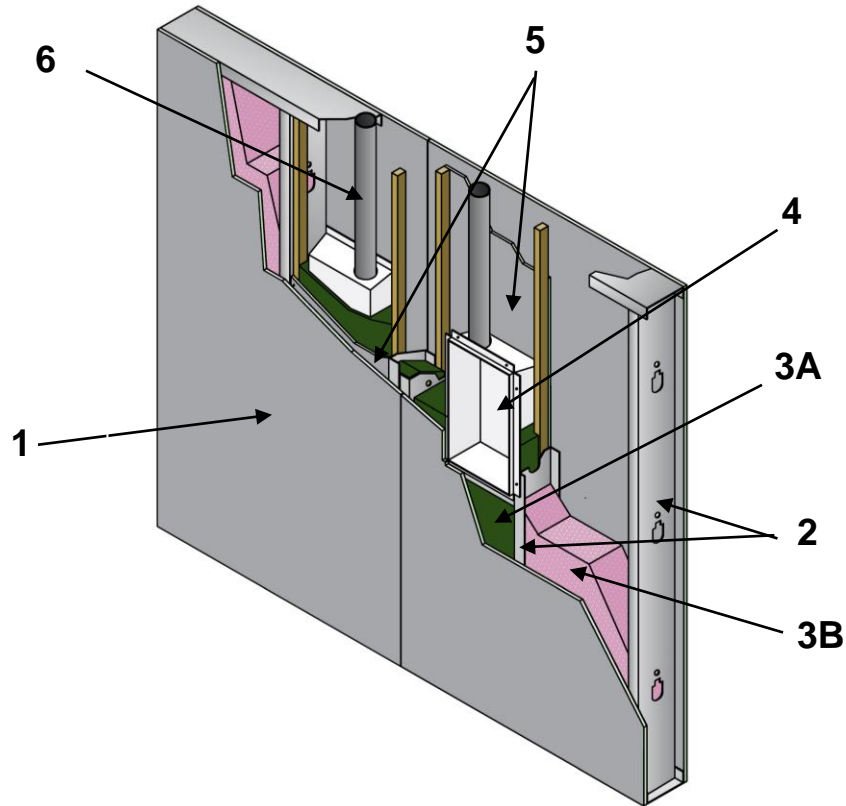
- ORIENT BOX TO MATCH DESIRED VENTING DIRECTION. ALLOW A MINIMUM OF 2" OF VENT PIPE TO EXTEND INTO THE BOX.
- IF GAS LINE IS TO BE INSTALLED, INSERT INTO KNOCKOUT PROVIDED.
- BOX CAN BE INSTALLED IN ANY LOCATION IN THE STUD CAVITY TO MEET DESIRED POSITION FOR DRYER LOCATION.
- ATTACH BOX TO ONE STUD AND BOTTOM STUD PLATE USING 1 1/2" SCREWS OR NAILS. IF POSITIONING IN THE STUD CAVITY TO ACCOMMODATE A *STACKED* DRYER CONFIGURATION ATTACH BLOCKING BELOW THE BOX AND ATTACH THE BOX TO ONE STUD AND THE BLOCKING.
- IF INSTALLING IN A 1 HOUR "THROUGH PENETRATION FIRESTOP SYSTEM" SEE 1 HOUR REQUIREMENTS FOR INSULATION AND OTHER MATERIALS IN THE STUD CAVITY.

## INSTALLATION INSTRUCTIONS FOR A 1 HOUR FIRE WALL REQUIREMENT

- To achieve a penetration firestop system rating (one-hour equal F&T) 2" x 6" (50mm x 152mm) **wood framing**, 16" O.C. (406mm) is required. The DBX1017FR6 is to be installed in accordance with the QAI assembly description. Insulation to be minimum R-19 fiberglass batt insulation that is classified as non-combustible as defined by ASTM E136 and CAN/ULC-S114, min thickness 6 inches. Insulation to be installed in all areas including between the stud and dryer vent box. The batt may be split to half the thickness to be able to compress it behind the box. The dryer vent box is 10" wide x 17" high x 4.25" deep with a 1" flange. The dryer vent box is fastened to the stud and sill with 1 1/2" screws. The 4" galvanized vent pipe is installed in the opening, then seal with foil tape or caulk using one of the following caulks: PFP 4800DW/Hilti FS-ONE MAX/STI LC Endothermic Firestop Sealant/3M Fire Barrier Sealant CP 25WB+ or WF300 Intumescent Firestop Caulk. Type X gypsum wallboard 5/8" complying with ASTM C 1396 is installed on stud face. The cavity containing the Dryer Vent Box shall have a layer of 5/8" Type X gypsum board placed behind the box. The gypsum board shall be fastened to two 3/4" (19mm) by 1 1/2" (38mm) pieces of wood fastened to the stud with wood screws such that the gypsum board will be flush with the 1 1/2" (38mm) face of the studs prior to fastening the sheathing. The gypsum board shall be fastened with #6 1 5/8" (41mm) drywall screws.
- Installation for **25-gauge steel framing** is the same as above for the DBX1017FR6 dryer vent box.

**Exception:** insulation in the dryer vent box cavity shall be mineral wool thermal insulation in compliance with ASTM C612 Type II, III or IVA. ASTM C612 Type II and III mineral wool insulation must also be non-combustible as defined by ASTM E 136 and CAN/ULC-S114, min 4.0 lb. (64kg/m<sup>3</sup>) density. A minimum 1" mineral wool board or batt shall be installed behind the Dryer Vent Box including between the box and the stud. In addition, a minimum R-19 fiberglass batt insulation meeting ASTM E 136 and CAN/ULC S-114 shall be installed in the adjacent stud cavities.

**QAI Listing B1072-1D Construction Solutions DBX1017FR6  
 4.25 and DBX1017FR4 3.5 in. Dryer Vent Boxes  
 CAN/ULC S115, ASTM E814  
 1 Hour Membrane Penetration Assembly  
 Non-Load Bearing**



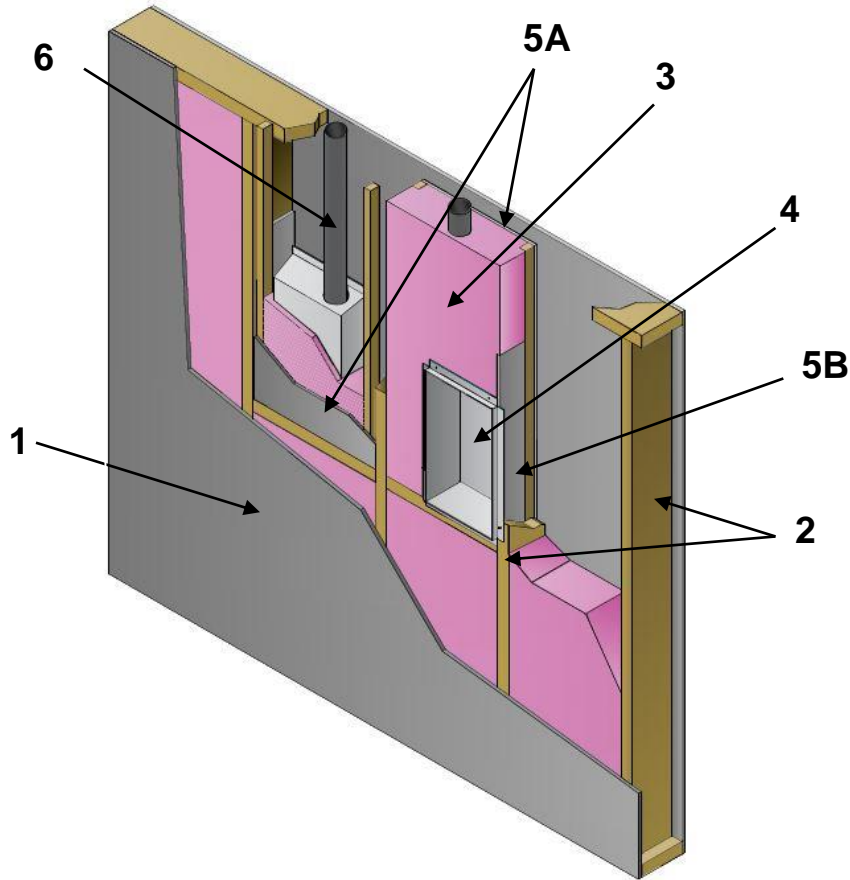
No.	COMPONENT	DESCRIPTION	
1	<b>Gypsum Board Sheathing</b>	Type:	Type X gypsum wallboard complying with ASTM C1396 and labeled by an approved agency.
		Thickness:	Single layer of 5/8 in. (16 mm) on each face of the wall.
		Application:	Sheathing is to be fastened to studs with #6 x 1-1/4 in. (32 mm) long self-drilling drywall screws spaced at 8 in. (203 mm) on center. Joints to be taped and mudded, and fastener heads to be mudded.
2	<b>Wall Studs</b>	Stud Type:	Minimum 1-1/4 x 6 in. (32 x 152 mm) steel.
		Gauge:	Minimum 25 Gauge.
		Stud Spaced	Maximum 16 in. (406 mm) on center.
3A	<b>Insulation (Dryer Vent Box Cavity)</b>	Type:	Mineral wool thermal insulation in compliance with ASTM C612 Type II, III or IVA. ASTM C612 Type II and III mineral wool insulation must also be non-combustible as defined by ASTM E136 and CAN/ULC-S114.
		Nominal Density:	Minimum 4.0 lb/ft <sup>3</sup> (64 kg/m <sup>3</sup> ).
		Installation:	A 1 in. mineral wool board or batt shall be installed behind the dryer vent box. The remainder of the cavity shall be filled with mineral wool including between the box and the stud.

No.	COMPONENT	DESCRIPTION	
3B	Insulation (Adjacent Cavities)	Type:	Minimum R-19 fiberglass batt insulation that is classified as non-combustible as defined by ASTM E136 and CAN/ULC-S114.
		Minimum Thickness:	6 inch (152 mm).
		Installation:	Fiberglass batt must be installed in the adjacent cavities.
4	Dryer Vent Box	Certified Manufacturer:	Construction Solutions
		Certified Products:	DBX1017 4.25 in. Construction Solutions dryer vent box kit. DBX1017FR4 3.5 in. Construction Solutions dryer vent box kit.
		Box Dimensions:	DBX1017 4.25 in.: 10 in. (254 mm) wide by 17 in. (432 mm) high by 4.25 in. (108 mm) deep with a 1 in. (25 mm) flange. A 4 in. (102 mm) cut out for the dryer vent on the top and 1-1/8 in. (29 mm) knockout on the top. The box is formed from 24 Gauge steel.
			DBX1017FR4 3.5 in.: 10.77 in. wide by 17.82 in. high by 4 ¼ in. deep with a 1 in. flange. A 3.157 in. cut out for the dryer vent. 1-1/8 in. knockout on the top of the box. The box is formed from 24 Gauge steel.
		Caulking:	PFP 4800DW Hilti FS-ONE MAX STI LC Endothermic Firestop Sealant 3M Fire Barrier Sealant CP 25WB+
		Installation:	The dryer vent box is fastened to the stud and sill through two holes on the side and bottom of the box using #8 x 5/8 in. (16 mm) steel stud screws. The galvanized steel dryer vent is inserted through the top of the box then caulked at the vent/box interface. The opening cut into the gypsum board shall be a maximum of 10-1/2 in. (267 mm) wide by 17-1/2 in. (445 mm) high. Only one box is permitted per stud cavity.
5	Gypsum Board (Back of Dryer Box Cavity)	Type:	Type X gypsum wallboard complying with ASTM C1396 and labeled by an approved agency.
		Thickness:	Single layer of 5/8 in. (16 mm) .
		Application:	The cavity containing the dryer vent box shall have a layer of type X gypsum placed behind the box. The gypsum shall be fastened to two 3/4 in. (19 mm) by 1-1/2 in. (38 mm) pieces of wood fastened to the stud with steel stud screws such that the gypsum will be flush with the 1-1/4 in. (32 mm) face of the studs prior to fastening the sheathing. The gypsum board shall be fastened with no. 6 x 1-5/8 in. (41 mm) drywall screws.
6	Vent Pipe	Size:	4 in. (101 mm) round.
		Type:	26 Gauge galvanized steel.

Visit the QAI Online Listing Directory located at [www.qai.org](http://www.qai.org) for the most up to date version of this Listing and to validate that this QAI Listing is active.



**QAI Listing B1072-1E Construction Solutions DBX1017FR6 4.25 in.  
 and DBX1017FR4 3.5 in. Dryer Vent Boxes  
 CAN/ULC S115, ASTM E814  
 1 Hour Membrane Penetration Assembly  
 Load Bearing**

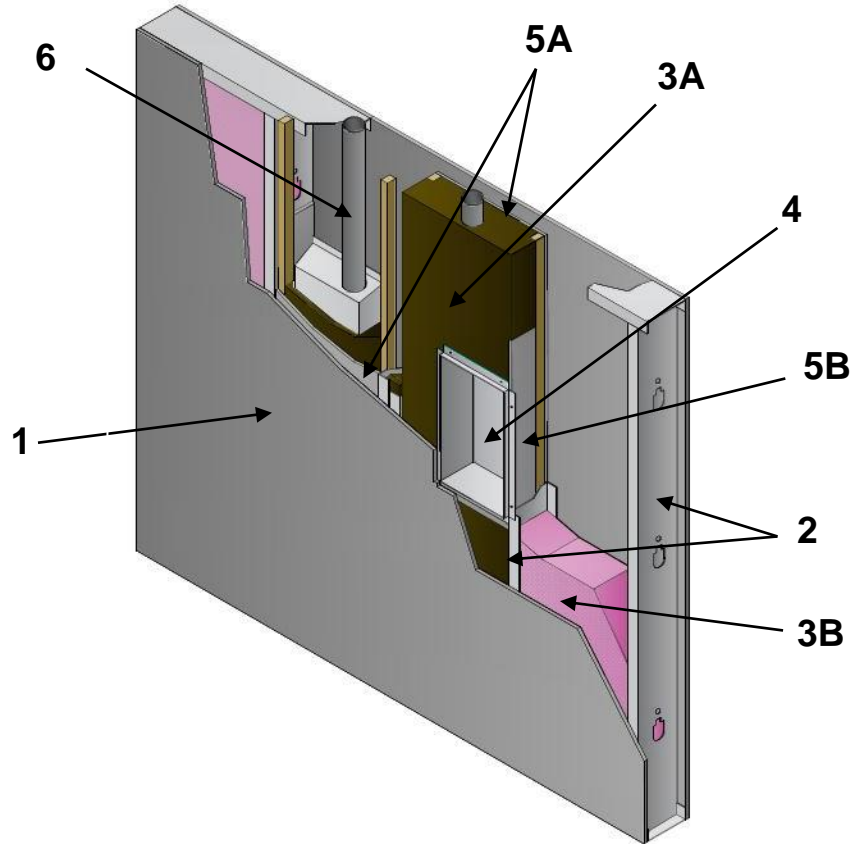


No.	COMPONENT	DESCRIPTION	
1	Gypsum Board Sheathing	Type:	Type X gypsum wallboard complying with ASTM C1396 and labeled by an approved agency.
		Thickness:	Single layer of 5/8 in. (16 mm) on each face of the wall.
		Application:	Sheathing is to be fastened to studs with #6 x 1-5/8 in. (41 mm) long coarse thread drywall screws spaced at 8 in. (203 mm) on center. Joints to be taped and mudded, and fastener heads to be mudded.
2	Wall Studs	Stud Type:	Minimum nominal 2 x 6 in. (38 x 140 mm) wood studs.
		Stud Spaced:	Maximum 16 in. (406 mm) on center.
3	Insulation	Type:	Minimum R-19 fiberglass batt insulation that is classified as non-combustible as defined by ASTM E136 and CAN/ULC-S114.
		Nominal Density:	6 inch (152 mm).
		Installation:	Fiberglass batt must be installed in all areas including between the stud and dryer vent box. The batt may be split to half the thickness in order to be able to compress it behind the box.

No.	COMPONENT	DESCRIPTION	
4	Dryer Vent Box	Certified Manufacturer:	Construction Solutions
		Certified Products:	DBX1017 4.25 in. Construction Solutions dryer vent box kit. DBX1017FR4 3.5 in. Construction Solutions dryer vent box kit.
		Box Dimensions:	DBX1017 4.25 in.: 10 in. (254 mm) wide by 17 in. (432 mm) high by 4.25 in. (108 mm) deep with a 1 in. (25 mm) flange. A 4 in. (102 mm) cut out for the dryer vent on the top and 1-1/8 in. (29 mm) knockout on the top. The box is formed from 24 Gauge steel.
			DBX1017FR4 3.5 in.: 10.77 in. wide by 17.82 in. high by 4 ¼ in. deep with a 1 in. flange. A 3.157 in. cut out for the dryer vent. 1-1/8 in. knockout on the top of the box. The box is formed from 24 Gauge steel.
		Caulking:	PFP 4800DW Hilti FS-ONE MAX STI LC Endothermic Firestop Sealant 3M Fire Barrier Sealant CP 25WB+
		Installation:	The dryer vent box is fastened to the stud and sill through two holes on the side and bottom of the box using #8 x 1-1/2 in. (38 mm) wood screws. The galvanized steel dryer vent is inserted through the top of the box then caulked at the vent/box interface. The opening cut into the gypsum board shall be a maximum of 10-1/2 in. (267 mm) wide by 17-1/2 in. (445 mm) high. Only one box is permitted per stud cavity.
5A	Gypsum Board (Back of Dryer Box Cavity)	Type:	Type X gypsum wallboard complying with ASTM C1396 and labeled by an approved agency.
		Thickness:	Single layer of 5/8 in. (16 mm) .
		Application:	The cavity containing the dryer vent box shall have a layer of Type X gypsum placed behind the box. The gypsum shall be fastened to two 3/4 in. (19 mm) by 1-1/2 in. (38 mm) pieces of wood fastened to the stud with wood screws such that the gypsum will be flush with the 1-1/2 in. (38 mm) face of the studs prior to fastening the sheathing. The gypsum board shall be fastened with no. 6 x 1-5/8 in. (41 mm) drywall screws.
5B	Gypsum Board (Adjacent Stud of Dryer Box)	Type:	Type X gypsum wallboard complying with ASTM C1396 and labeled by an approved agency.
		Thickness:	Single layer of 5/8 in. (16 mm) .
		Application:	The adjacent stud to the dryer vent box shall have a layer of type X gypsum placed between the stud and the box. The gypsum shall extend 6 in. (152 mm) above the top of the box and fastened using six no. 6 x 1-5/8 in. (41 mm) Type W drywall screws.
6	Vent Pipe	Size:	4 in. (101 mm) round.
		Type:	26 Gauge galvanized steel.

Visit the QAI Online Listing Directory located at [www.qai.org](http://www.qai.org) for the most up to date version of this Listing and to validate that this QAI Listing is active.

**QAI Listing B1072-1F Construction Solutions DBX1017FR6  
 4.25 in and DBX1017FR4 3.5 in. Dryer Vent Boxes  
 CAN/ULC S115, ASTM E814  
 1 Hour Membrane Penetration Assembly  
 Load Bearing**

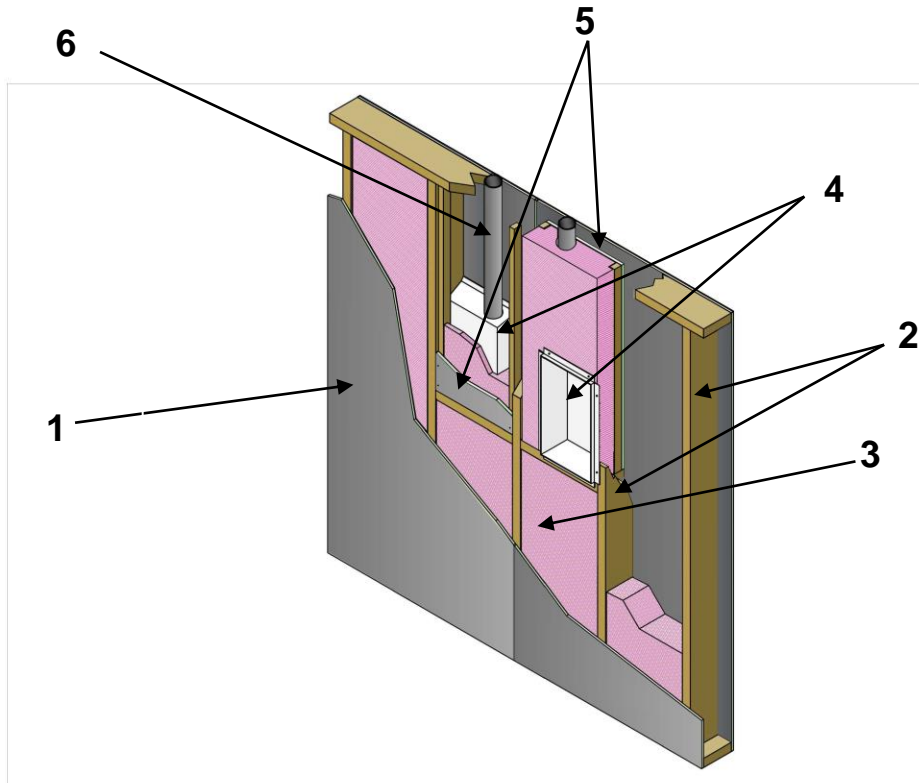


No.	COMPONENT	DESCRIPTION	
1	Gypsum Board Sheathing	Type:	Type X gypsum wallboard complying with ASTM C1396 and labeled by an approved agency.
		Thickness:	Single layer of 5/8 in. (16 mm) on each face of the wall.
		Application:	Sheathing is to be fastened to studs with #6 x 1-1/4 in. (32 mm) long self-drilling drywall screws spaced at 8 in. (203 mm) on center. Joints to be taped and mudded, and fastener heads to be mudded.
2	Wall Studs	Stud Type:	Minimum 1-1/4 x 6 in. (32 x 152 mm) steel.
		Gauge:	Minimum 25 Gauge.
		Stud Spaced	Maximum 16 in. (406 mm) on center.
3A	Insulation (Dryer Vent Box Cavity)	Type:	Mineral wool thermal insulation in compliance with ASTM C612 Type II, III or IVA. ASTM C612 Type II and III mineral wool insulation must also be non-combustible as defined by ASTM E136 and CAN/ULC-S114.
		Nominal Density:	Minimum 4.0 lb/ft <sup>3</sup> (64 kg/m <sup>3</sup> ).
		Installation:	A 1 in. mineral wool board or batt shall be installed behind the dryer vent box. The remainder of the cavity shall be filled with mineral wool including between the box and the stud.

No.	COMPONENT	DESCRIPTION	
3B	Insulation (Adjacent Cavities)	Type:	Minimum R-19 fiberglass batt insulation that is classified as non-combustible as defined by ASTM E136 and CAN/ULC-S114.
		Minimum Thickness:	6 inch (152 mm).
		Installation:	Fiberglass batt must be installed in the adjacent cavities.
4	Dryer Vent Box	Certified Manufacturer:	Construction Solutions
		Certified Products:	DBX1017 4.25 in. Construction Solutions dryer vent box kit. DBX1017FR4 3.5 in. Construction Solutions dryer vent box kit.
		Box Dimensions:	DBX1017 4.25 in.: 10 in. (254 mm) wide by 17 in. (432 mm) high by 4.25 in. (108 mm) deep with a 1 in. (25 mm) flange. A 4 in. (102 mm) cut out for the dryer vent on the top and 1-1/8 in. (29 mm) knockout on the top. The box is formed from 24 Gauge steel.
			DBX1017FR4 3.5 in.: 10.77 in. wide by 17.82 in. high by 4 1/4 in. deep with a 1 in. flange. A 3.157 in. cut out for the dryer vent. 1-1/8 in. knockout on the top of the box. The box is formed from 24 Gauge steel.
		Caulking:	PFP 4800DW Hilti FS-ONE MAX STI LC Endothermic Firestop Sealant 3M Fire Barrier Sealant CP 25WB+
		Installation:	The dryer vent box is fastened to the stud and sill through two holes on the side and bottom of the box using #8 x 5/8 in. (16 mm) steel stud screws. The galvanized steel dryer vent is inserted through the top of the box then caulked at the vent/box interface. The opening cut into the gypsum board shall be a maximum of 10-1/2 in. (267 mm) wide by 17-1/2 in. (445 mm) high. Only one box is permitted per stud cavity.
5A	Gypsum Board (Back of Dryer Box Cavity)	Type:	Type X gypsum wallboard complying with ASTM C1396 and labeled by an approved agency.
		Thickness:	Single layer of 5/8 in. (16 mm) .
		Application:	The cavity containing the dryer vent box shall have a layer of type X gypsum placed behind the box. The gypsum shall be fastened to two 3/4 in. (19 mm) by 1-1/2 in. (38 mm) pieces of wood fastened to the stud with steel stud screws such that the gypsum will be flush with the 1-1/4 in. (32 mm) face of the studs prior to fastening the sheathing. The gypsum board shall be fastened with no. 6 x 1-5/8 in. (41 mm) drywall screws.
5B	Gypsum Board (Adjacent Stud of Dryer Box)	Type:	Type X gypsum wallboard complying with ASTM C1396 and labeled by an approved agency.
		Thickness:	Single layer of 5/8 in. (16 mm) .
		Application:	The adjacent stud to the dryer vent box shall have a layer of type X gypsum placed between the stud and the box. The gypsum shall extend 6 in. (152 mm) above the top of the box and fastened using six no. 6 x 1-1/4 in. (32 mm) Type S drywall screws.
6	Vent Pipe	Size:	4 in. (101 mm) round.
		Type:	26 Gauge galvanized steel.

Visit the QAI Online Listing Directory located at [www.qai.org](http://www.qai.org) for the most up to date version of this Listing and to validate that this QAI Listing is active.

**QAI Listing B1072-1C Construction Solutions DBX1017FR6  
 4.25 in. and DBX1017FR4 3.5 in. Dryer Vent Boxes  
 CAN/ULC S115, ASTM E814  
 1 Hour Membrane Penetration Assembly  
 Non-Load Bearing**



No.	COMPONENT	DESCRIPTION	
1	Gypsum Board Sheathing	Type:	Type X gypsum wallboard complying with ASTM C1396 and labeled by an approved agency.
		Thickness:	Single layer of 5/8 in. (16 mm) on each face of the wall.
		Application:	Sheathing is to be fastened to studs with #6 x 1-5/8 in. (41 mm) long coarse thread drywall screws spaced at 8 in. (203 mm) on center. Joints to be taped and mudded, and fastener heads to be mudded.
2	Wall Studs	Stud Type:	Minimum nominal 2 x 6 in. (38 x 140 mm) wood studs.
		Stud Spaced	Maximum 16 in. (406 mm) on center.
3	Insulation	Type:	Minimum R-19 fiberglass batt insulation that is classified as non-combustible as defined by ASTM E136 and CAN/ULC-S114.
		Minimum Thickness:	6 inch (152 mm).
		Installation:	Fiberglass batt must be installed in all areas including between the stud and dryer vent box. The batt may be split to half the thickness in order to be able to compress it behind the box.

No.	COMPONENT	DESCRIPTION	
4	Dryer Vent Box	Certified Manufacturer:	Construction Solutions.
		Certified Products:	DBX1017 4.25 in. Construction Solutions dryer vent box kit. DBX1017FR4 3.5 in. Construction Solutions dryer vent box kit.
		Box Dimensions:	DBX1017 4.25 in.: 10 in. (254 mm) wide by 17 in. (432 mm) high by 4.25 in. (108 mm) deep with a 1 in. (25 mm) flange. A 4 in. (102 mm) cut out for the dryer vent on the top and 1-1/8 in. (29 mm) knockout on the top. The box is formed from 24 Gauge steel.
			DBX1017FR4 3.5 in.: 10.77 in. wide by 17.82 in. high by 4 ¼ in. deep with a 1 in. flange. A 3.157 in. cut out for the dryer vent. 1-1/8 in. knockout on the top of the box. The box is formed from 24 Gauge steel.
		Caulking:	PFP 4800DW Hilti FS-ONE MAX STI LC Endothermic Firestop Sealant 3M Fire Barrier Sealant CP 25WB+
		Installation:	The dryer vent box is fastened to the stud and sill through two holes on the side and bottom of the box using #8 x 1-1/2 in. (38 mm) wood screws. The galvanized steel dryer vent is inserted through the top of the box then caulked at the vent/box interface. The opening cut into the gypsum board shall be a maximum of 10-1/2 in. (267 mm) wide by 17-1/2 in. (445 mm) high. Only one box is permitted per stud cavity.
5	Gypsum Board (Dryer Box Cavity)	Type:	Type X gypsum wallboard complying with ASTM C1396 and labeled by an approved agency.
		Thickness:	Single layer of 5/8 in. (16 mm).
		Application:	The cavity containing the dryer vent box shall have a layer of Type X gypsum placed behind the box. The gypsum shall be fastened to two 3/4 in. (19 mm) by 1-1/2 in. (38 mm) pieces of wood fastened to the stud with wood screws such that the gypsum will be flush with the 1-1/2 in. (38 mm) face of the studs prior to fastening the sheathing. The gypsum board shall be fastened with no. 6 x 1-5/8 in. (41 mm) drywall screws.
6	Vent Pipe	Size:	4 in. (101 mm) round.
		Type:	26 Gauge galvanized steel.

Visit the QAI Online Listing Directory located at [www.qai.org](http://www.qai.org) for the most up to date version of this Listing and to validate that this QAI Listing is active.

# Testing agency

Construction Solutions chose QAI laboratories based in Canada to perform testing on our metal dryer vent boxes. QAI is recognized by UL as a third-party testing agency.

The following pages have information on our DBX1000M testing results as well as our DBX1017FR dryer vent box.





INTERNATIONAL  
ACCREDITATION  
SERVICE®

# CERTIFICATE OF ACCREDITATION

*This is to attest that*

## **QAI LABORATORIES LTD.**

3980 NORTH FRASER WAY  
BURNABY, BRITISH COLUMBIA V5J 5K5  
CANADA

Product Certification Agency PCA-118  
Third-Party Certification Body

has met the requirements of the applicable provisions of AC370, *IAS Accreditation Criteria for Product Certification Agencies*, has demonstrated compliance with ISO/IEC Standard 17065:2012, *Conformity assessment - Requirements for bodies certifying products, process and services*. This organization is accredited to provide the services specified in the scope of accreditation maintained on the IAS website ([www.iasonline.org](http://www.iasonline.org)).

*This certificate is valid up to January 1, 2022.*



This accreditation certificate supersedes any IAS accreditation bearing an earlier effective date. The certificate becomes invalid upon suspension, cancellation or revocation of accreditation. See [www.iasonline.org](http://www.iasonline.org) for current accreditation information, or contact IAS at 562-364-8201.



**C.P. Ramani, P.E., C.B.O**  
President





# CERTIFICATE OF ACCREDITATION

*This is to attest that*

## **QAI LABORATORIES LTD.**

3980 NORTH FRASER WAY  
BURNABY, BC V5J 5K5  
CANADA

Testing Laboratory TL-239

has met the requirements of AC89, *IAS Accreditation Criteria for Testing Laboratories*, and has demonstrated compliance with ISO/IEC Standard 17025:2017, *General requirements for the competence of testing and calibration laboratories*. This organization is accredited to provide the services specified in the scope of accreditation maintained on the IAS website ([www.iasonline.org](http://www.iasonline.org)).

*This certificate is valid up to January 1, 2022.*



*This accreditation certificate supersedes any IAS accreditation bearing an earlier effective date. The certificate becomes invalid upon suspension, cancellation or revocation of accreditation. See [www.iasonline.org](http://www.iasonline.org) for current accreditation information, or contact IAS at 562-364-8201.*



A handwritten signature in black ink that reads "Raj Nathan".

**Raj Nathan**  
President



June 24, 2015

**To: Whom it may Concern**

**RE: QAI Laboratories Accreditations**

QAI Laboratories is an international company with 4 offices in the US and 3 offices in Canada. QAI is accredited in both the United States and Canada. In the United States QAI Laboratories is accredited by the US Government Department of Labor, Occupational Safety and Health Administration (OSHA) as a Nationally Recognized Testing Laboratory (NRTL), we are also accredited by the International Accreditation Services (IAS) as a Testing Laboratory and a Certification Agency and by the American Association of Laboratory Accreditation (A2LA) and the Federal Communication Commission (FCC) as an EMC/EMI testing laboratory and Conformity Assessment Body (CAB). In Canada we are accredited by the Standards Council of Canada (SCC) and also Industry Canada (IC) for (EMC/EMI).

With specific reference to Fire resistance evaluation of products our scope of accreditation is equivalent to that of other agencies like UL or Intertek. We are all accredited by the above noted agencies to ISO 17065 standard for Certification of Fire rated products and the ISO 17025 standard for testing of these products. It should also be noted QAI is a major partner to ICC-ES providing many of their testing and inspection services.

For details of our scope please visit <http://qai.org/accreditations/>

For specifics on the Constructions Solutions listing and use limitations please see QAI's online listing page at:

[http://www.qai.org/Listing\\_Pages/QAI\\_Listing\\_B1072\\_Construction\\_Solutions.htm](http://www.qai.org/Listing_Pages/QAI_Listing_B1072_Construction_Solutions.htm)

Should you require any additional information on our accreditations please do not hesitate to call 604-527-8378.

Regards

Lawrence Gibson, P. Eng.,  
President