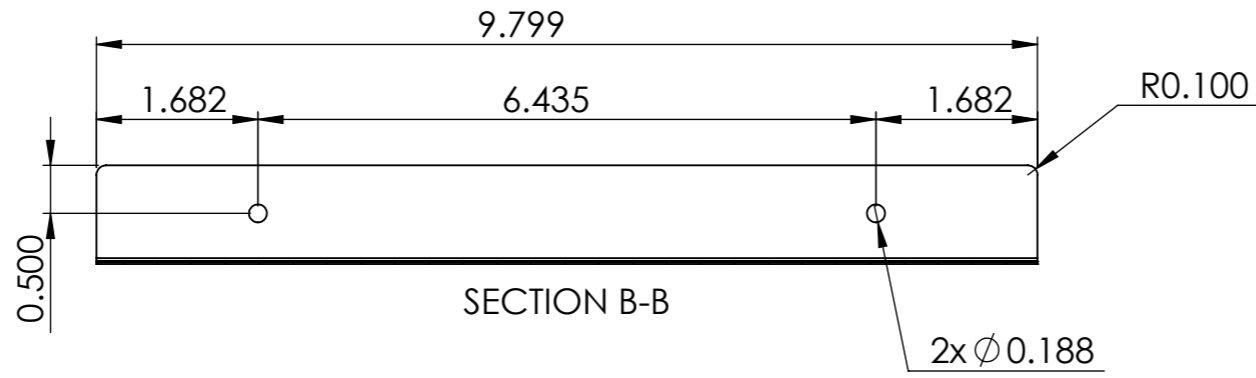
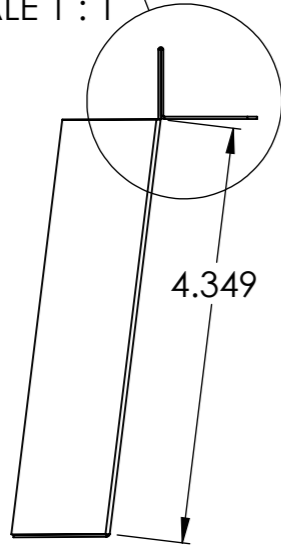
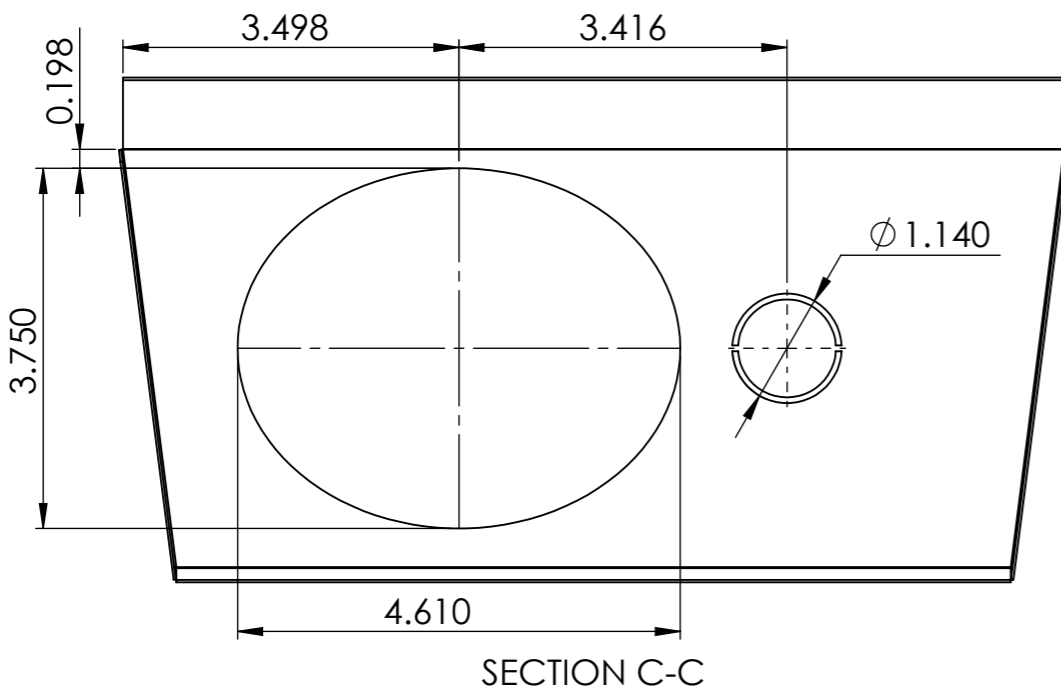
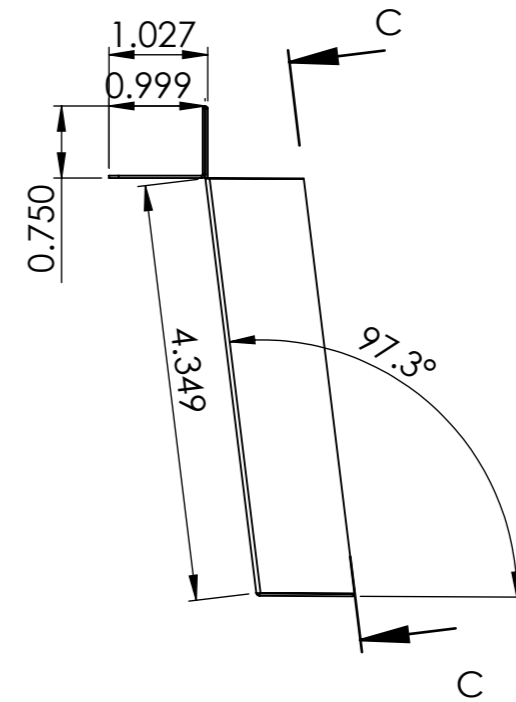
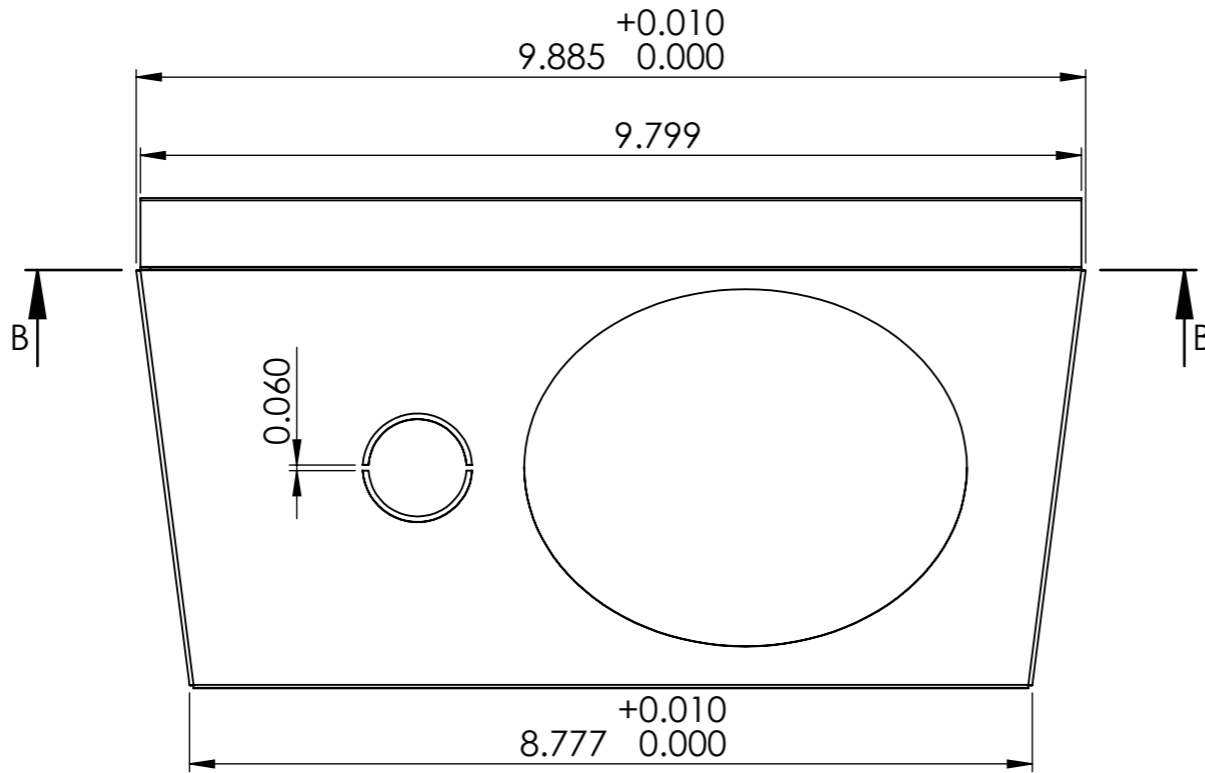


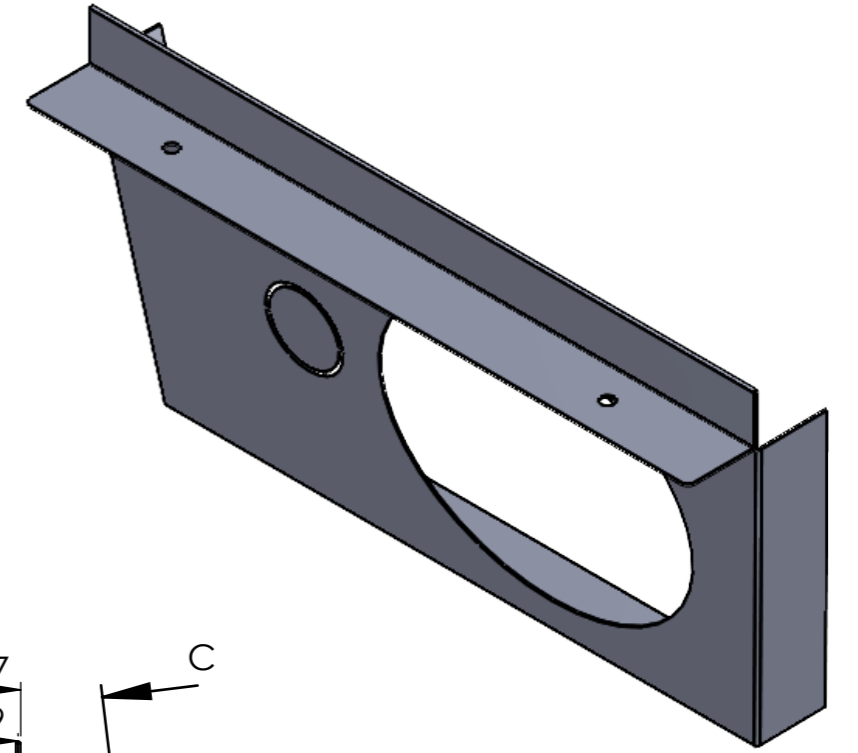
DETAIL A  
SCALE 1:1



SECTION B-B



SECTION C-C



FINISH:		DEBURR AND BREAK SHARP EDGES		DO NOT SCALE DRAWING		REVISION	
DRAWN		SIGNATURE		DATE		TITLE: Construction Solutions	
CHK'D						DWG NO. DBX1017FR6	
APPV'D						A3	
MFG				MATERIAL:		SCALE: 1:2	
Q.A				WEIGHT:		SHEET 1 OF 1	