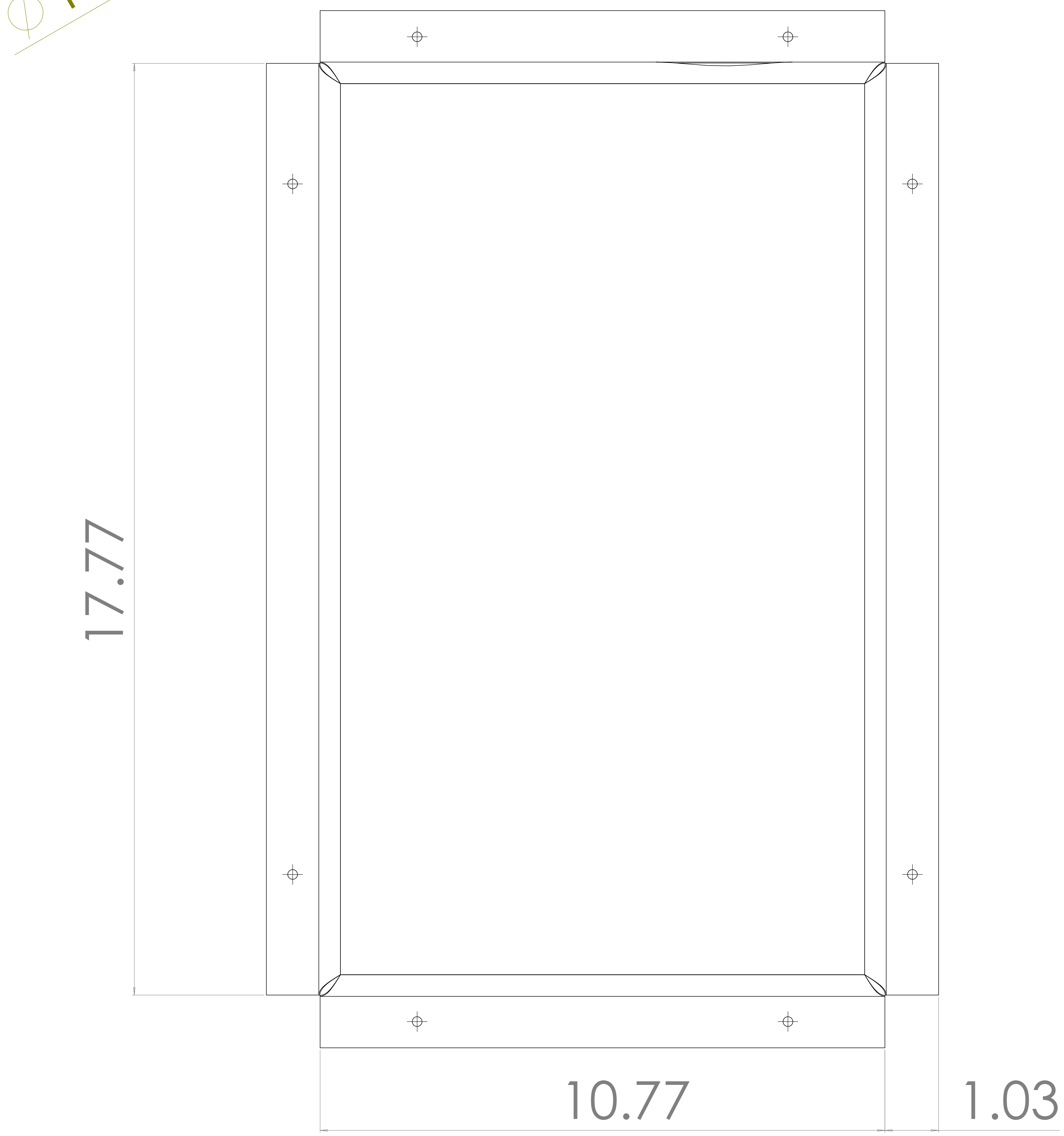
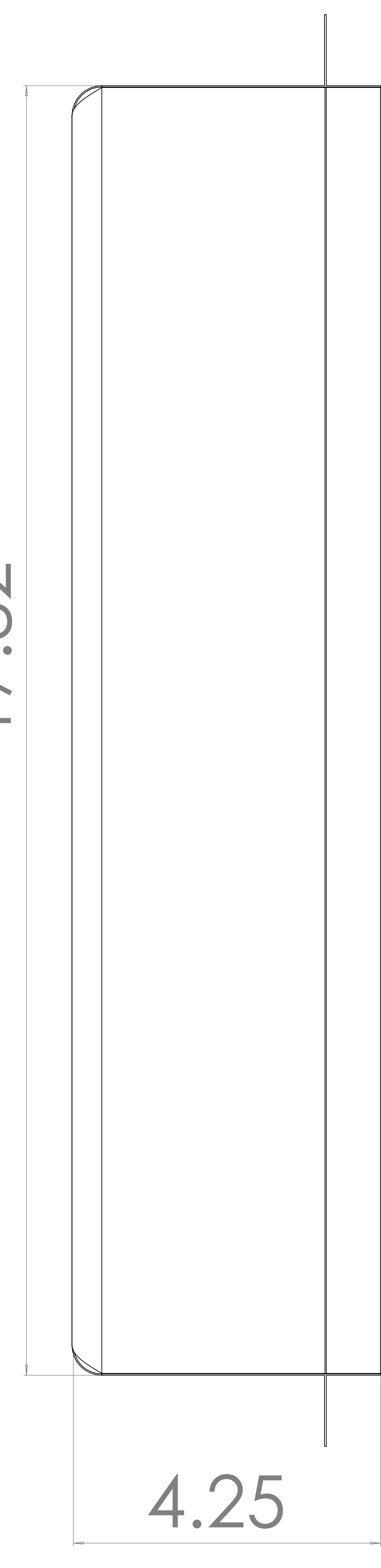


TOP VIEW



FRONT VIEW



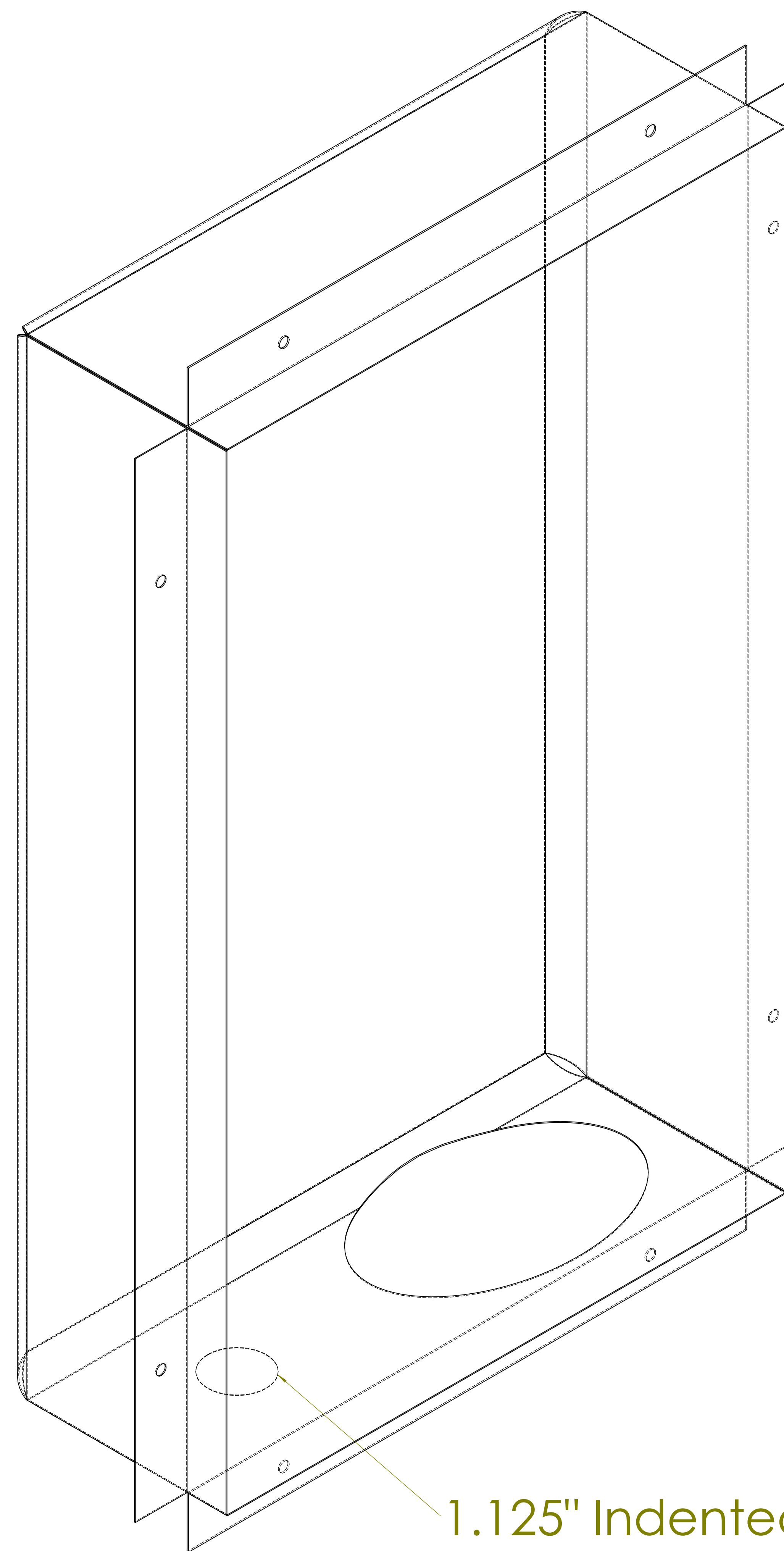
SIDE VIEW

DBX 1017FR4
 DRYER VENT BOX
 DIMENSION VIEW

FRONT

BACK

DBX 1017FR4
DRYER VENT BOX
ISOMETRIC VIEW



1.125" Indented on outside 0.009