

Product Specification and Scope of Work

Model DBX1424

Designed For 2x6 framing

** designed to accommodate all floor mount, pedestals and stackable floor heights

Builder Specification Wording for HVAC:

“Recessed Metal Dryer Vent Box with Snap on Trim Ring
Manufactured by Construction Solutions DBX1424

SKU# DBX1424MBT



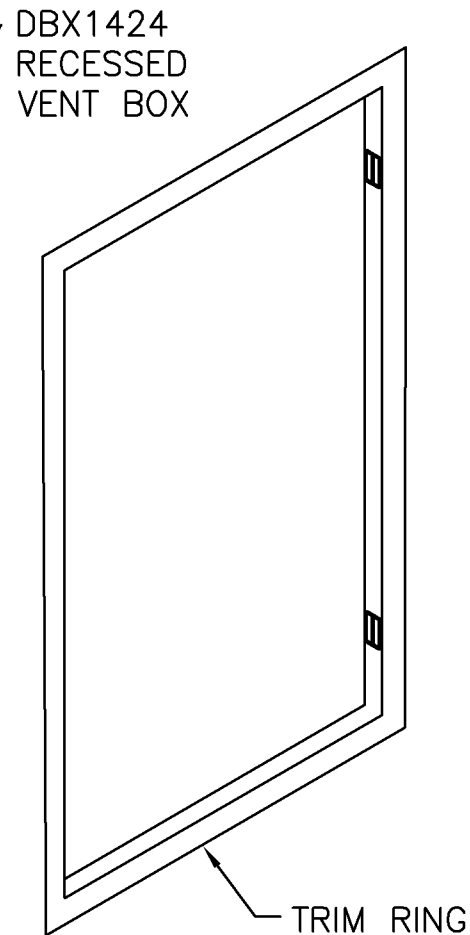
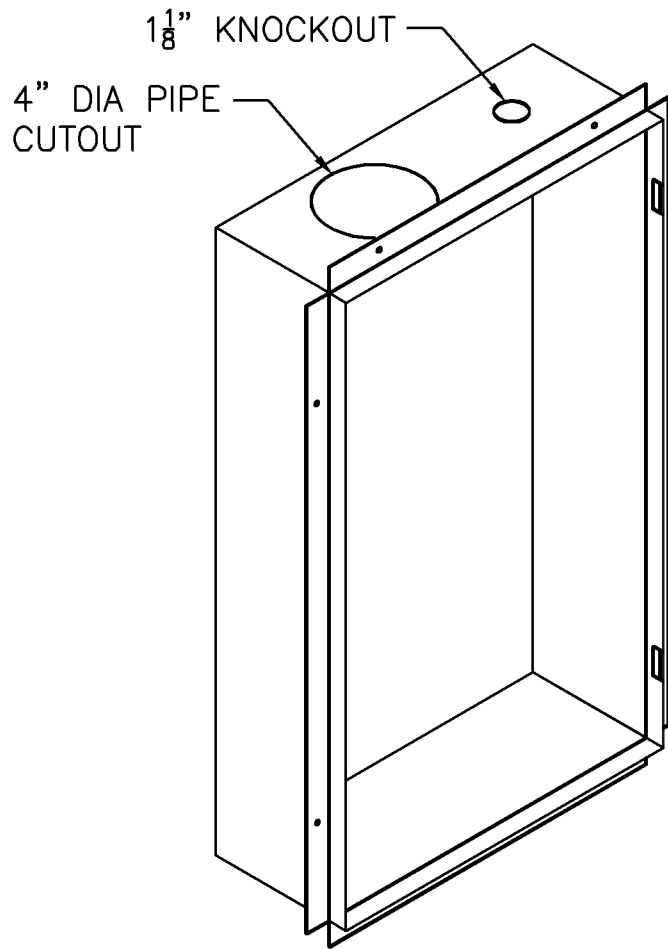
DBX1424 Metal dryer vent box with snap on trim ring

Manufactured by Construction Solutions

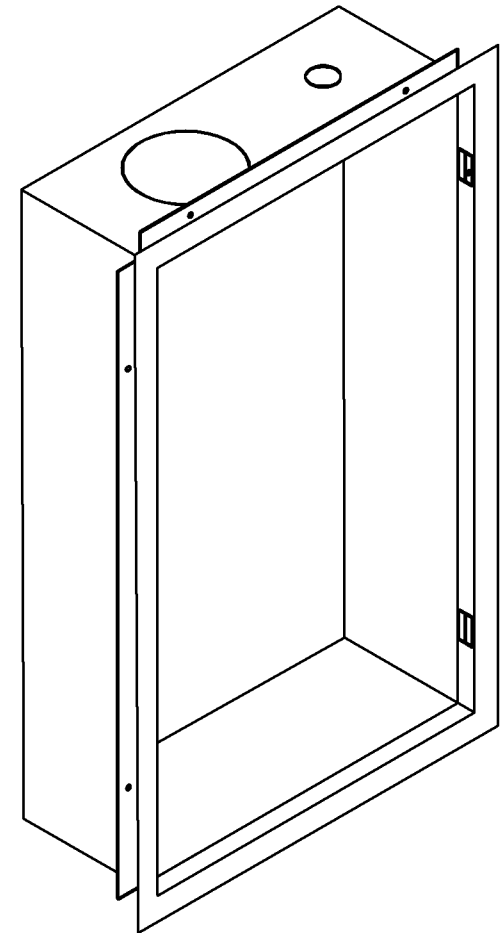
22415 N. 18th Dr. Phoenix, AZ. 85027

480-346-8240

www.newconstructionsolutions.com



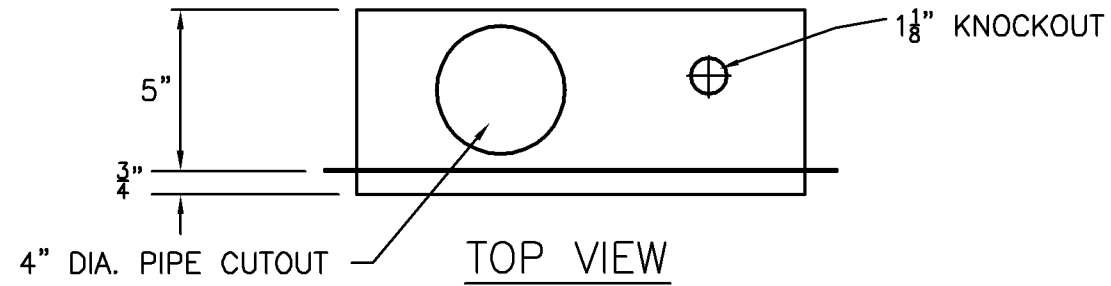
DBX1424
DRYER VENT BOX
ASSEMBLY VIEW



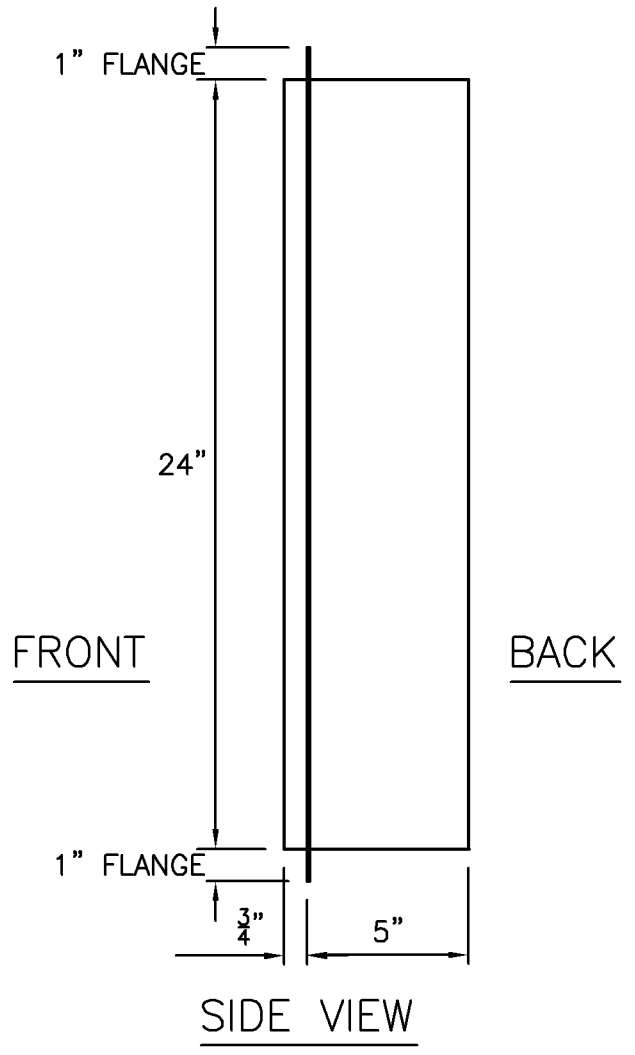
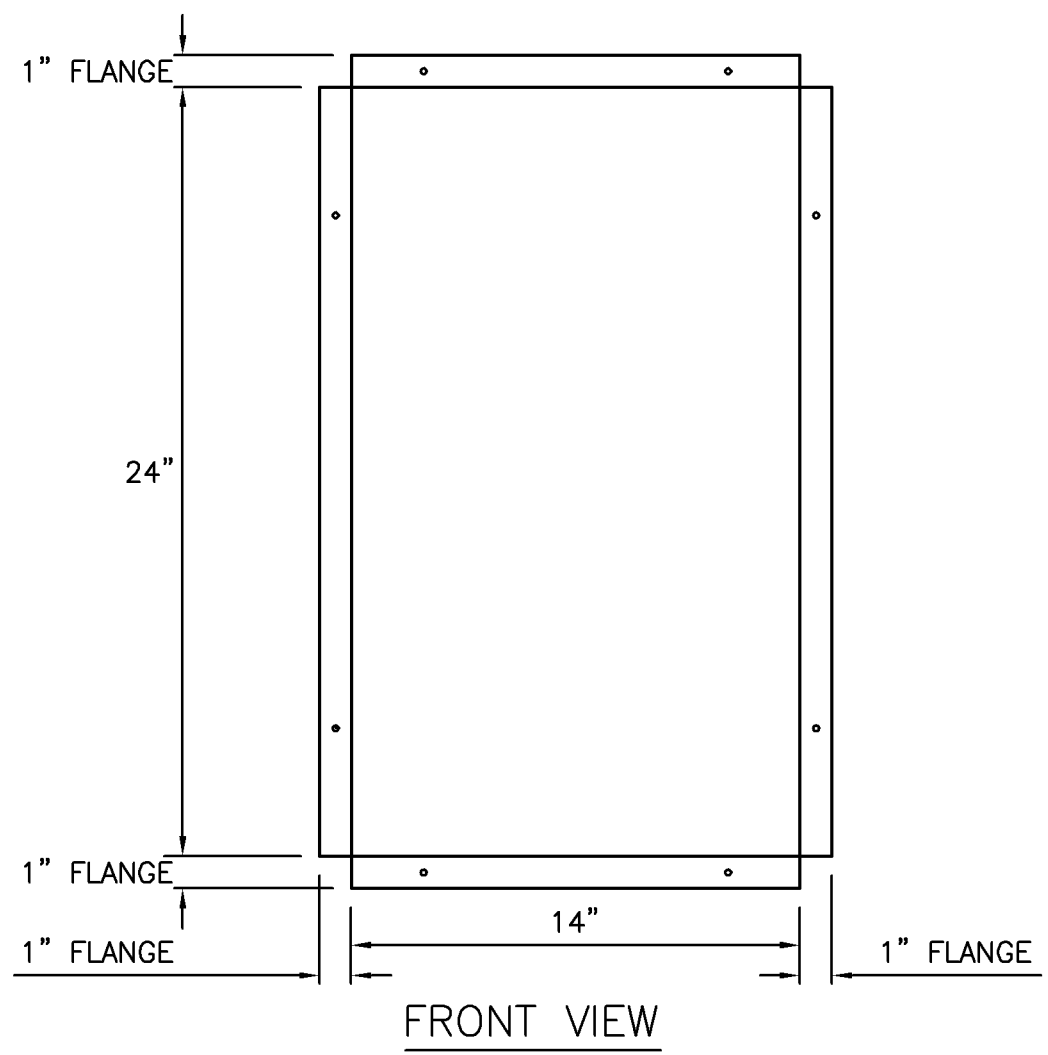
22415 N. 18th Drive
Phoenix, AZ 85027
Office: 480-346-8240
www.newconstructionsolutions.com

CONSTRUCTION
SOLUTIONS

DBX1424
DRYER VENT BOX



DBX1424
DRYER VENT BOX
DIMENSION VIEW



22415 N. 18th Drive
Phoenix, AZ 85027
Office: 480-346-8240
www.newconstructionsolutions.com

CONSTRUCTION
SOLUTIONS

DBX1424
DRYER VENT BOX